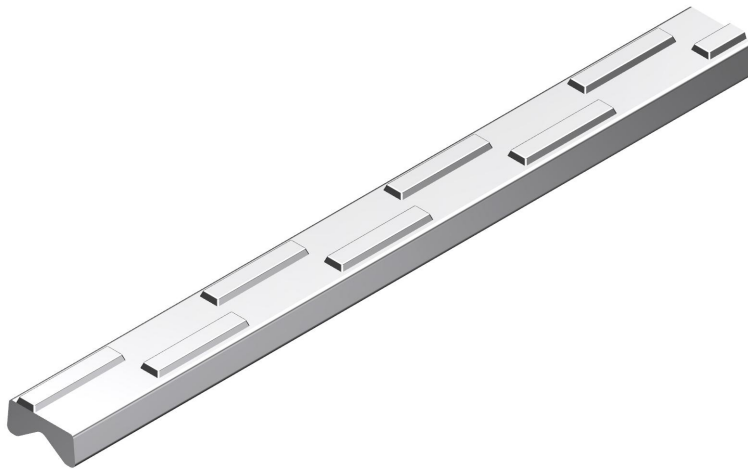



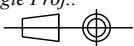


10:1



<table border="1"> <tr> <td>03</td> <td></td> <td></td> <td></td> <td rowspan="3">                 Description: 马克花丝             </td> <td rowspan="3">  <b>金艾科</b> JINAIKE             </td> </tr> <tr> <td>02</td> <td></td> <td></td> <td></td> <td rowspan="2">                 Size: 2.0×1.0             </td> </tr> <tr> <td>01</td> <td></td> <td></td> <td></td> </tr> </table>	03				Description: 马克花丝	 <b>金艾科</b> JINAIKE	02				Size: 2.0×1.0	01				Revision description		Designed by	Date	Material: <b>SUS</b>	Hardness: <b>HV1 440</b>	Scale: <b>50:1</b>	Drawing No.: <b>JAK0561</b>
	03						Description: 马克花丝	 <b>金艾科</b> JINAIKE															
	02								Size: 2.0×1.0														
01																							
Designed by: <b>Wenjun Kang</b>	Date: <b>14/05/2024</b>	Approved by: <b>Lei Gu</b>	Date: <b>14/05/2024</b>	Revision: <b>T0</b>	Unit of length: <b>mm</b>	1st Angle Proj.: 																	

Tolerance for linear dimensions extract from IOS 2768-1				Tolerance for angular dimensions extract from IOS 2768-1			Permissible deviations for lengths in millimeters of shorter side of the angle concerned
Designation	from 0.5 up to 6	from 6 up to 30	from 30 up to 120	Designation	up to 10	from 10 up to 50	
fine	±0.05	±0.1	±0.15	fine	±1°	±0°30'	±0°20'

This drawing is exclusive ownership of JINAIKE. No part of this drawing may be reproduced or published, without written permission of JINAIKE