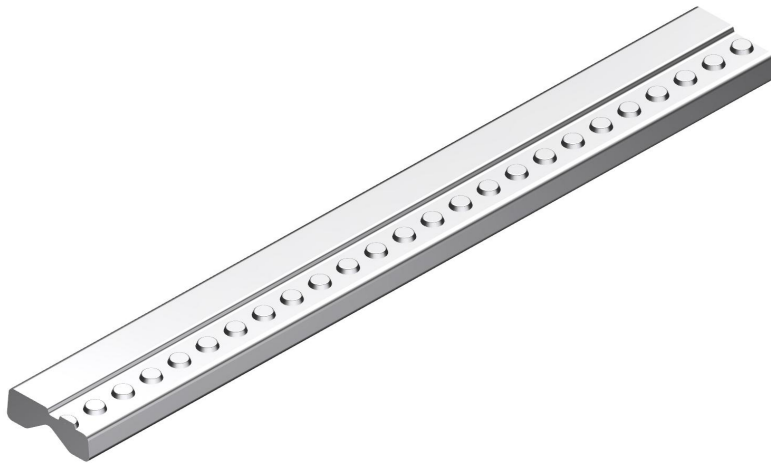



10:1



<table border="1"> <tr> <td>03</td> <td></td> <td></td> <td></td> <td></td> <td></td> <td></td> <td></td> <td></td> </tr> <tr> <td>02</td> <td></td> <td></td> <td></td> <td></td> <td></td> <td></td> <td></td> </tr> <tr> <td>01</td> <td></td> <td></td> <td></td> <td></td> <td></td> <td></td> <td></td> </tr> </table>	03									02								01								Description: 异形高低级凸圆点花纹				 <b>金艾科</b> JINAIKE	Size: 2.4×0.85		Drawing No.: <b>JAK0670</b>
	03																																
	02																																
01																																	
Material: <b>SUS</b>		Hardness: <b>HV1 440</b>		Scale: <b>50:1</b>																													
Rev.	Revision description	Designed by	Date	Revision:	Unit of length:	1st Angle Proj.:																											
Designed by: <b>Wenjun Kang</b>		Date: <b>15/05/2024</b>		Approved by: <b>Lei Gu</b>		Date: <b>15/05/2024</b>		Revision: <b>T0</b>		Unit of length: <b>mm</b>		1st Angle Proj.: 																					

Tolerance for linear dimensions extract from IOS 2768-1				Tolerance for angular dimensions extract from IOS 2768-1				Permissible deviations for lengths in millimeters of shorter side of the angle concerned
Designation	from 0.5 up to 6	from 6 up to 30	from 30 up to 120	Designation	up to 10	from 10 up to 50	from 50 up to 120	
fine	±0.05	±0.1	±0.15	fine	±1°	±0°30'	±0°20'	

This drawing is exclusive ownership of JINAIKE. No part of this drawing may be reproduced or published, without written permission of JINAIKE