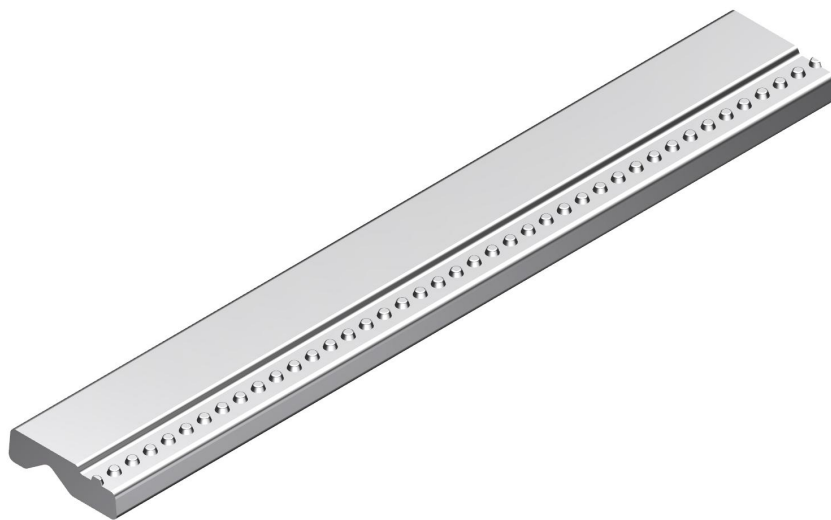

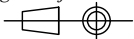


10:1



03 02 01				Description: 低一级凸圆点花纹		 金艾科 JINAIKE	
				Size: 3.0×0.8			
				Material: SUS	Hardness: HV1 440		Scale: 40:1
Rev.	Revision description	Designed by	Date			Drawing No.:	
	Designed by: Wenjun Kang	Date: 21/05/2024	Approved by: Lei Gu	Date: 21/05/2024	Revision: T0	Unit of length: mm	1st Angle Proj.: 
						JAK5006	

Tolerance for linear dimensions extract from IOS 2768-1			Tolerance for angular dimensions extract from IOS 2768-1			Permissible deviations for lengths in millimeters of shorter side of the angle concerned		
Designation	from 0.5 up to 6	from 6 up to 30	from 30 up to 120	Designation	up to 10		from 10 up to 50	from 50 up to 120
fine	±0.05	±0.1	±0.15	fine	±1°		±0°30'	±0°20'

This drawing is exclusive ownership of JINAIKE. No part of this drawing may be reproduced or published, without written permission of JINAIKE