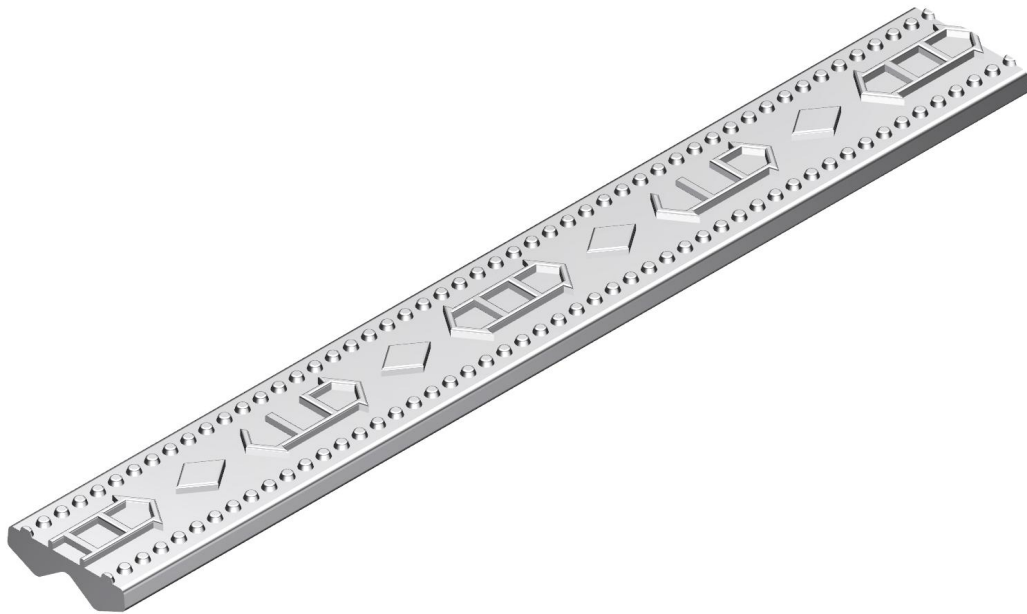



10:1



<table border="1"> <tr> <td>03</td> <td></td> <td></td> <td></td> <td></td> <td></td> <td></td> <td></td> <td></td> </tr> <tr> <td>02</td> <td></td> <td></td> <td></td> <td></td> <td></td> <td></td> <td></td> </tr> <tr> <td>01</td> <td></td> <td></td> <td></td> <td></td> <td></td> <td></td> <td></td> </tr> </table>	03									02								01								Description: 带斜度II菱形花纹		 金艾科 JINAIKE	
	03																												
	02																												
01																													
Size: 2.6×0.8																													
Rev.	Revision description	Designed by	Date	Material: SUS	Hardness: HV1 440	Scale: 40:1	Drawing No.:																						
Designed by: Wenjun Kang		Date: 16/05/2024		Approved by: Lei Gu		Date: 16/05/2024																							
Revision: T0		Unit of length: mm		1st Angle Proj.:		JAK5009																							

Tolerance for linear dimensions extract from IOS 2768-1			Tolerance for angular dimensions extract from IOS 2768-1			Permissible deviations for lengths in millimeters of shorter side of the angle concerned
Designation	from 0.5 up to 6	from 6 up to 30	Designation	up to 10	from 10 up to 50	
fine	±0.05	±0.1	fine	±1°	±0°30'	
		±0.15			±0°20'	

This drawing is exclusive ownership of JINAIKE. No part of this drawing may be reproduced or published, without written permission of JINAIKE