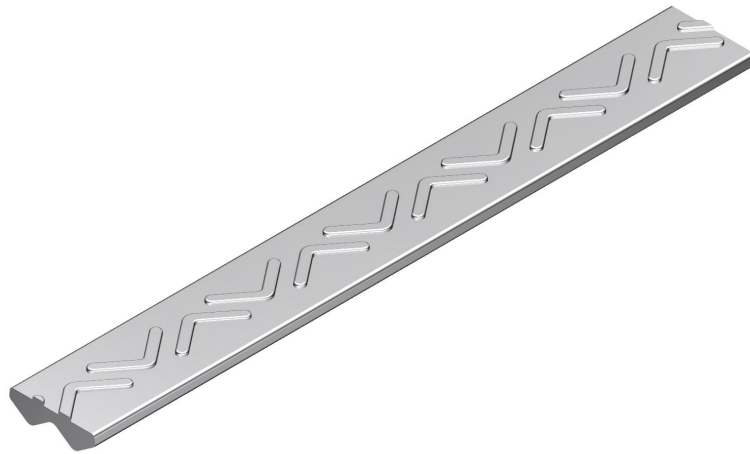


10:1



<table border="1"> <tr><td>03</td></tr> <tr><td>02</td></tr> <tr><td>01</td></tr> </table>	03	02	01				Description: 带斜度V花纹			
	03									
	02									
01										
			Size: 2.6×0.8							
Rev.	Revision description	Designed by	Date	Material: SUS	Hardness: HV1 440	Scale: 50:1	Drawing No.:			
Designed by: Wenjun Kang		Date: 16/05/2024		Approved by: Lei Gu		Date: 16/05/2024		JAK5333 		
Revision:	T0	Unit of length:	mm	1st Angle Proj.:						

Tolerance for linear dimensions extract from IOS 2768-1				Tolerance for angular dimensions extract from IOS 2768-1				Permissible deviations for lengths in millimeters of shorter side of the angle concerned
Designation	from 0.5 up to 6	from 6 up to 30	from 30 up to 120	Designation	up to 10	from 10 up to 50	from 50 up to 120	
fine	±0.05	±0.1	±0.15	fine	±1°	±0°30'	±0°20'	

This drawing is exclusive ownership of JINAIKE.No part of this drawing may be reproduced or published, without written permission of JINAIKE