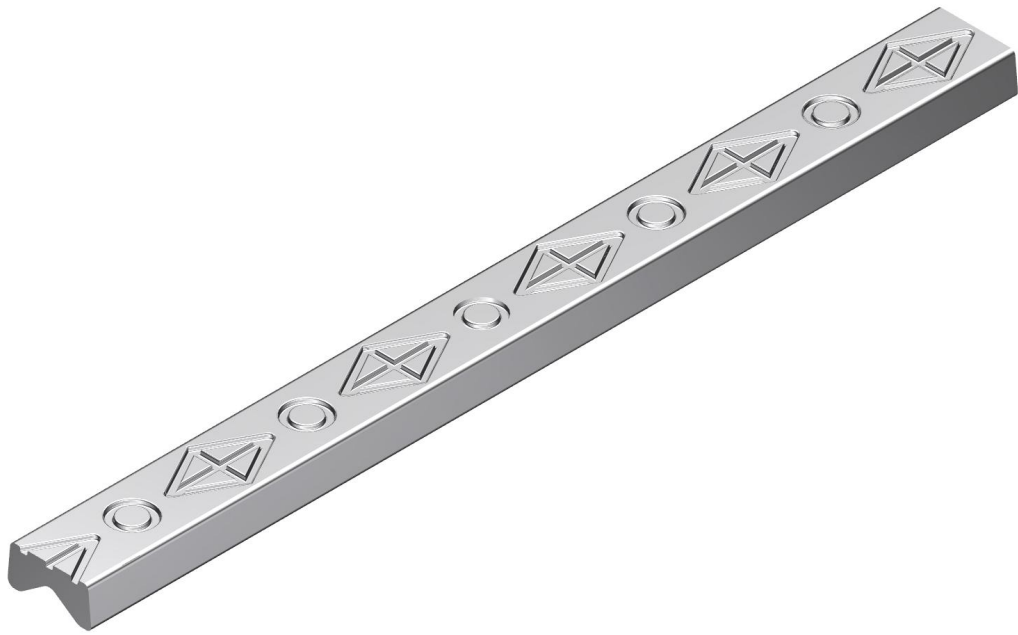

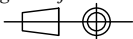


10:1



03				Description: GX凹菱形花纹		 <b>金艾科</b> JINAIKE	
02				Size: 1.8×0.9			
01				Material: SUS	Hardness: HV1 440		Scale: 50:1
Rev.	Revision description	Designed by	Date			Drawing No.:	
Designed by: Wenjun Kang		Date: 17/05/2024	Approved by: Lei Gu	Date: 17/05/2024	Revision: T0	Unit of length: mm	1st Angle Proj.: 
							JAK9321

Tolerance for linear dimensions extract from IOS 2768-1			Tolerance for angular dimensions extract from IOS 2768-1			Permissible deviations for lengths in millimeters of shorter side of the angle concerned	
Designation	from 0.5 up to 6	from 6 up to 30	from 30 up to 120	Designation	up to 10		from 10 up to 50
fine	±0.05	±0.1	±0.15	fine	±1°	±0°30'	±0°20'

This drawing is exclusive ownership of JINAIKE. No part of this drawing may be reproduced or published, without written permission of JINAIKE