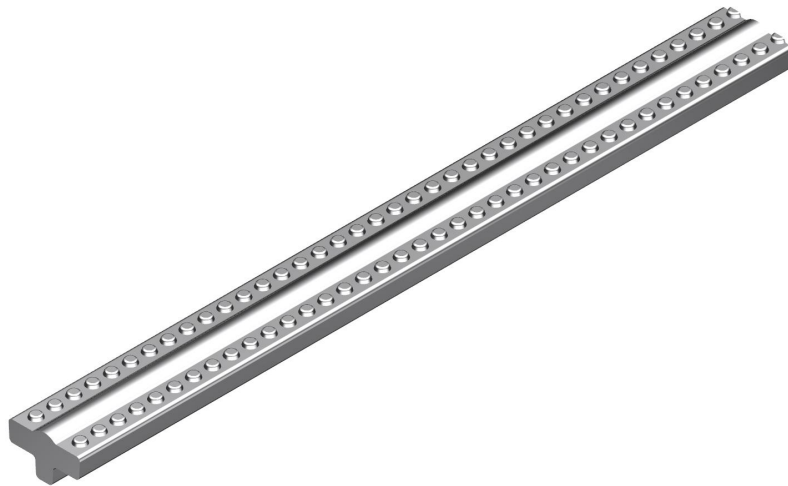



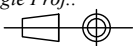


10:1



<table border="1"> <tr> <td>03</td> <td></td> <td></td> <td></td> <td></td> <td colspan="2">Description: 5号花纹T线</td> <td rowspan="3">  金艾科 JINAIKE </td> </tr> <tr> <td>02</td> <td></td> <td></td> <td></td> <td colspan="2">Size: 2.0×1.2</td> </tr> <tr> <td>01</td> <td></td> <td></td> <td></td> <td>Material: β</td> <td>Hardness: HV1 280</td> <td>Scale: 50:1</td> </tr> </table>	03					Description: 5号花纹T线		 金艾科 JINAIKE	02				Size: 2.0×1.2		01				Material: β	Hardness: HV1 280	Scale: 50:1	Rev.	Revision description	Designed by	Date	Revision:	Unit of length:	1st Angle Proj.:	Drawing No.:
	03					Description: 5号花纹T线			 金艾科 JINAIKE																				
	02				Size: 2.0×1.2																								
01				Material: β	Hardness: HV1 280	Scale: 50:1																							
					T0	mm		JAK0921 β																					

Tolerance for linear dimensions extract from IOS 2768-1			Tolerance for angular dimensions extract from IOS 2768-1			Permissible deviations for lengths in millimeters of shorter side of the angle concerned	
Designation	from 0.5 up to 6	from 6 up to 30	from 30 up to 120	Designation	up to 10		from 10 up to 50
fine	±0.05	±0.1	±0.15	fine	±1°	±0°30'	±0°20'

This drawing is exclusive ownership of JINAIKE. No part of this drawing may be reproduced or published, without written permission of JINAIKE