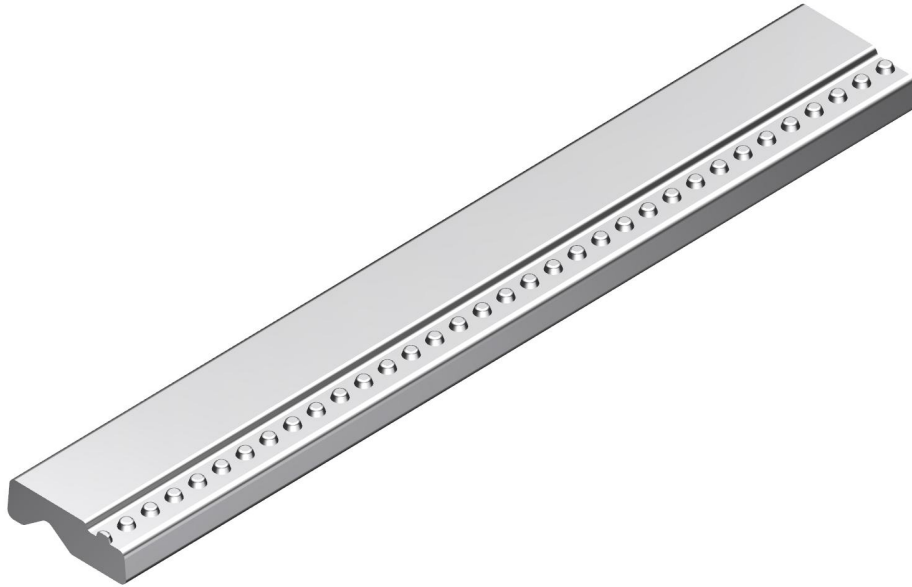
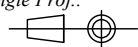


10:1



<table border="1"> <tr> <td>03</td> <td></td> <td></td> <td></td> <td rowspan="3">                 Description: 异形低一级凸圆点 (偏槽)             </td> <td rowspan="3">  <b>金艾科</b> JINAIKE             </td> </tr> <tr> <td>02</td> <td></td> <td></td> <td></td> </tr> <tr> <td>01</td> <td></td> <td></td> <td></td> </tr> </table>	03				Description: 异形低一级凸圆点 (偏槽)	 <b>金艾科</b> JINAIKE	02				01				Description: 异形低一级凸圆点 (偏槽)		Size: <b>3.0 × 0.85</b>		Scale: <b>40:1</b>	Drawing No.: <b>JAK0954T</b>
	03						Description: 异形低一级凸圆点 (偏槽)	 <b>金艾科</b> JINAIKE												
	02																			
01																				
Material: <b>Ti</b>		Hardness: <b>HV1 320</b>																		
Rev.	Revision description	Designed by	Date																	
Designed by: <b>Wenjun Kang</b>		Date: <b>29/05/2024</b>		Approved by: <b>Lei Gu</b>		Date: <b>29/05/2024</b>		Revision: <b>T0</b>	Unit of length: <b>mm</b>	1st Angle Proj.: 										

Tolerance for linear dimensions extract from IOS 2768-1			Tolerance for angular dimensions extract from IOS 2768-1			Permissible deviations for lengths in millimeters of shorter side of the angle concerned		
Designation	from 0.5 up to 6	from 6 up to 30	from 30 up to 120	Designation	up to 10		from 10 up to 50	from 50 up to 120
fine	±0.05	±0.1	±0.15	fine	±1°		±0°30'	±0°20'

This drawing is exclusive ownership of JINAIKE. No part of this drawing may be reproduced or published, without written permission of JINAIKE