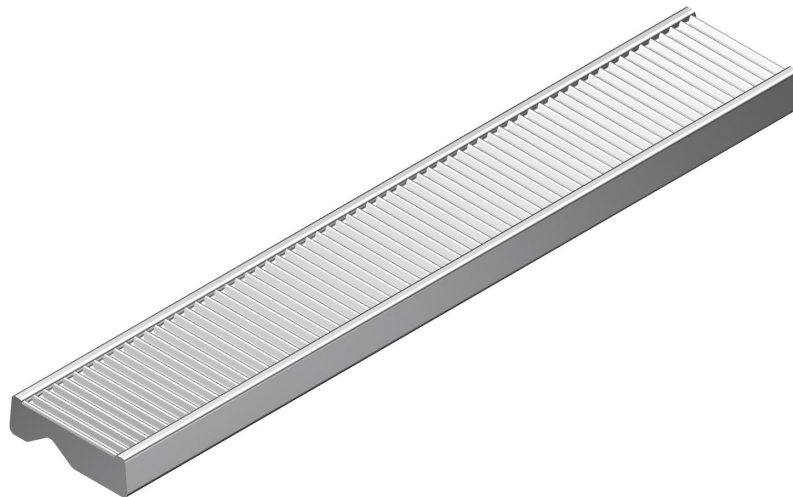

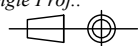


10:1



03 02 01					Description: 乔盾花纹 (偏槽)		 金艾科 JINAIKE	
					Size: 3.5 × 1.0			
	Material: Ti-P		Hardness: HV1 220		Scale: 40:1	Drawing No.:		
Rev.	Revision description		Designed by	Date			JAK0969C	
Designed by: Wenjun Kang		Date: 30/05/2024	Approved by: Lei Gu		Date: 30/05/2024	Revision: T0	Unit of length: mm	1st Angle Proj.: 

Tolerance for linear dimensions extract from IOS 2768-1				Tolerance for angular dimensions extract from IOS 2768-1			Permissible deviations for lengths in millimeters of shorter side of the angle concerned	
Designation	from 0.5 up to 6	from 6 up to 30	from 30 up to 120	Designation	up to 10	from 10 up to 50		from 50 up to 120
fine	±0.05	±0.1	±0.15	fine	±1°	±0°30'		±0°20'

This drawing is exclusive ownership of JINAIKE. No part of this drawing may be reproduced or published, without written permission of JINAIKE