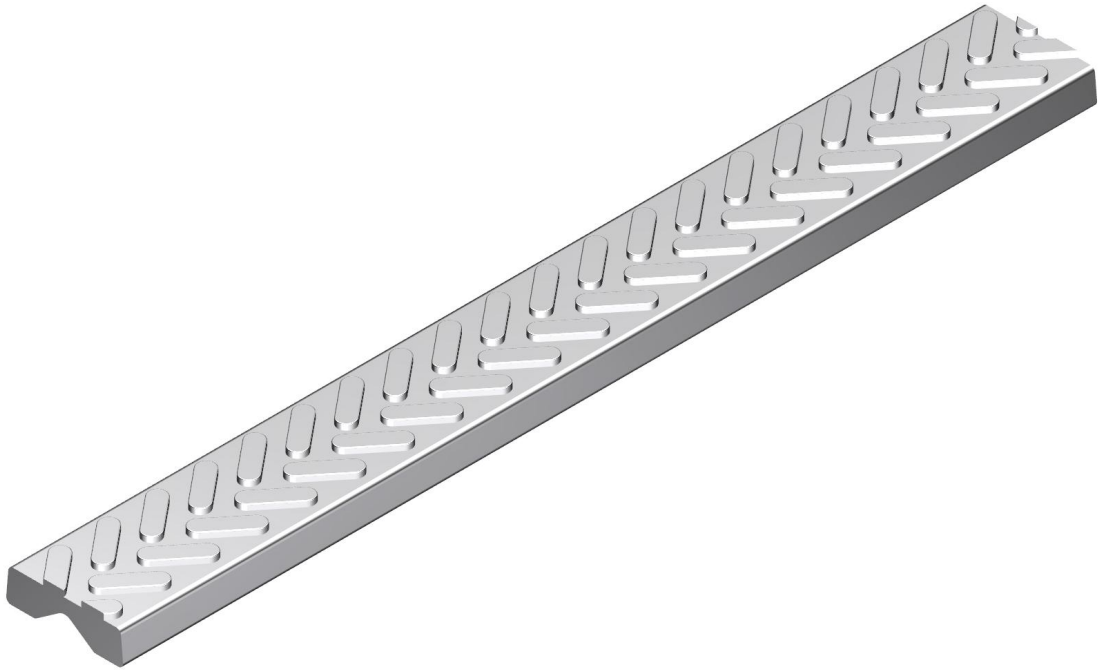

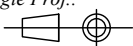


10:1



03 02 01				Description: 麦穗花纹		 <b>金艾科</b> <b>JINAIKE</b>
				Size: 2.4×0.8		
				Material: SUS	Hardness: HV1 440	
Rev.	Revision description	Designed by	Date	Drawing No.:		<b>JAK0378</b>
Designed by:	Date:	Approved by:	Date:	Revision:	Unit of length:	1st Angle Proj.:
<b>Wenjun Kang</b>	<b>23/04/2024</b>	<b>Lei Gu</b>	<b>23/04/2024</b>	<b>T0</b>	<b>mm</b>	

Tolerance for linear dimensions extract from IOS 2768-1			Tolerance for angular dimensions extract from IOS 2768-1			Permissible deviations for lengths in millimeters of shorter side of the angle concerned
Designation	from 0.5 up to 6	from 6 up to 30	Designation	up to 10	from 10 up to 50	
fine	±0.05	±0.1	fine	±1°	±0°30'	
		±0.15			±0°20'	

This drawing is exclusive ownership of JINAIKE. No part of this drawing may be reproduced or published, without written permission of JINAIKE