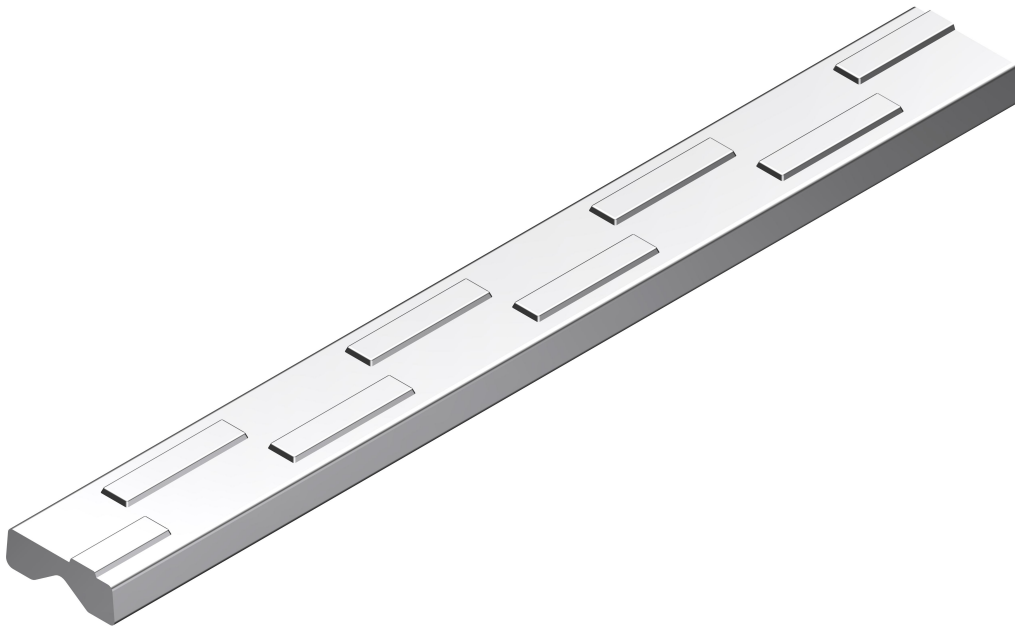

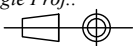


10:1



03				Description:	马克花丝			 <b>金艾科</b> <b>JINAIKE</b>
02				Size:	2.4×0.85			
01				Material:	SUS	Hardness:	HV1 440	
Rev.	Revision description	Designed by	Date	Scale:	50:1	Drawing No.:		
Designed by:	Date:	Approved by:	Date:	Revision:	Unit of length:	1st Angle Proj.:	JAK0383	
Wenjun Kang	25/04/2024	Lei Gu	25/04/2024	T0	mm			

Tolerance for linear dimensions extract from IOS 2768-1				Tolerance for angular dimensions extract from IOS 2768-1				Permissible deviations for lengths in millimeters of shorter side of the angle concerned
Designation	from 0.5 up to 6	from 6 up to 30	from 30 up to 120	Designation	up to 10	from 10 up to 50	from 50 up to 120	
fine	±0.05	±0.1	±0.15	fine	±1°	±0°30'	±0°20'	

This drawing is exclusive ownership of JINAIKE.No part of this drawing may be reproduced or published, without written permission of JINAIKE