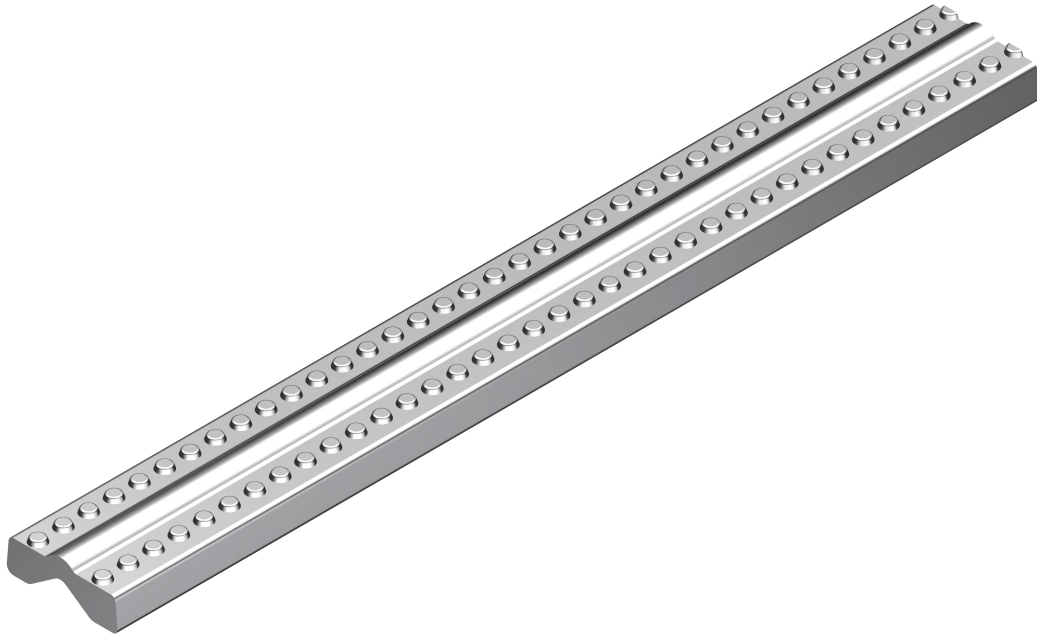



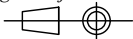


10:1



<table border="1"> <tr> <td>03</td> <td></td> <td></td> <td></td> <td></td> <td colspan="2">Description: 5号花纹</td> <td rowspan="3">  金艾科 JINAIKE </td> </tr> <tr> <td>02</td> <td></td> <td></td> <td></td> <td colspan="2">Size: 2.4×0.85</td> </tr> <tr> <td>01</td> <td></td> <td></td> <td></td> <td>Material: SUS</td> <td>Hardness: HV1 440</td> <td>Scale: 50:1</td> </tr> </table>	03					Description: 5号花纹		 金艾科 JINAIKE	02				Size: 2.4×0.85		01				Material: SUS	Hardness: HV1 440	Scale: 50:1	Rev.	Revision description	Designed by	Date		Drawing No.:
	03					Description: 5号花纹			 金艾科 JINAIKE																		
	02				Size: 2.4×0.85																						
01				Material: SUS	Hardness: HV1 440	Scale: 50:1																					
Designed by: Wenjun Kang	Date: 25/04/2024	Approved by: Lei Gu	Date: 25/04/2024	Revision: T0	Unit of length: mm	1st Angle Proj.: 	JAK0384																				

Tolerance for linear dimensions extract from IOS 2768-1				Tolerance for angular dimensions extract from IOS 2768-1				Permissible deviations for lengths in millimeters of shorter side of the angle concerned
Designation	from 0.5 up to 6	from 6 up to 30	from 30 up to 120	Designation	up to 10	from 10 up to 50	from 50 up to 120	
fine	±0.05	±0.1	±0.15	fine	±1°	±0°30'	±0°20'	

This drawing is exclusive ownership of JINAIKE. No part of this drawing may be reproduced or published, without written permission of JINAIKE