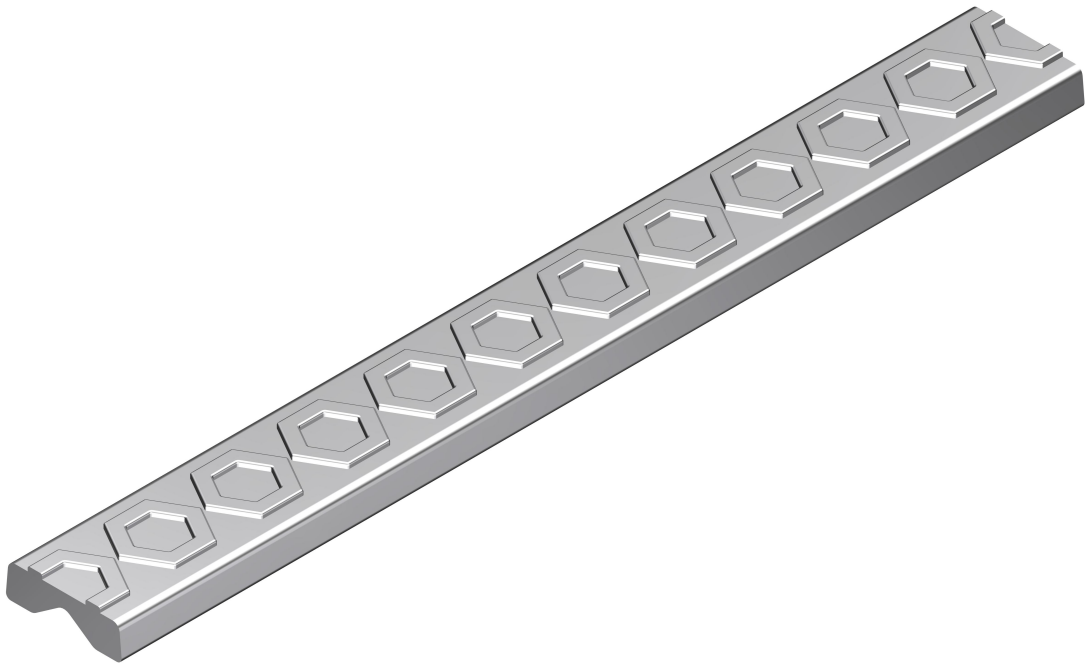



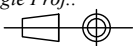


10:1



<table border="1"> <tr> <td>03</td> <td></td> <td></td> <td></td> <td rowspan="3"> Description: 六角菱形花纹 Size: 2.4×0.8 Material: SUS Hardness: HV1 450 Scale: 40:1 </td> <td rowspan="3">  金艾科 JINAIKE </td> </tr> <tr> <td>02</td> <td></td> <td></td> <td></td> </tr> <tr> <td>01</td> <td></td> <td></td> <td></td> </tr> </table>	03				Description: 六角菱形花纹 Size: 2.4×0.8 Material: SUS Hardness: HV1 450 Scale: 40:1	 金艾科 JINAIKE	02				01				Rev.	Revision description	Designed by	Date	Drawing No.:
	03						Description: 六角菱形花纹 Size: 2.4×0.8 Material: SUS Hardness: HV1 450 Scale: 40:1	 金艾科 JINAIKE											
	02																		
01																			
Designed by:	Date:	Approved by:	Date:	Revision:	Unit of length:	1st Angle Proj.:	JAK0398												
Wenjun Kang	27/04/2024	Lei Gu	27/04/2024	T0	mm														

Tolerance for linear dimensions extract from IOS 2768-1			Tolerance for angular dimensions extract from IOS 2768-1			Permissible deviations for lengths in millimeters of shorter side of the angle concerned	
Designation	from 0.5 up to 6	from 6 up to 30	from 30 up to 120	Designation	up to 10		from 10 up to 50
fine	±0.05	±0.1	±0.15	fine	±1°	±0°30'	±0°20'

This drawing is exclusive ownership of JINAIKE. No part of this drawing may be reproduced or published, without written permission of JINAIKE