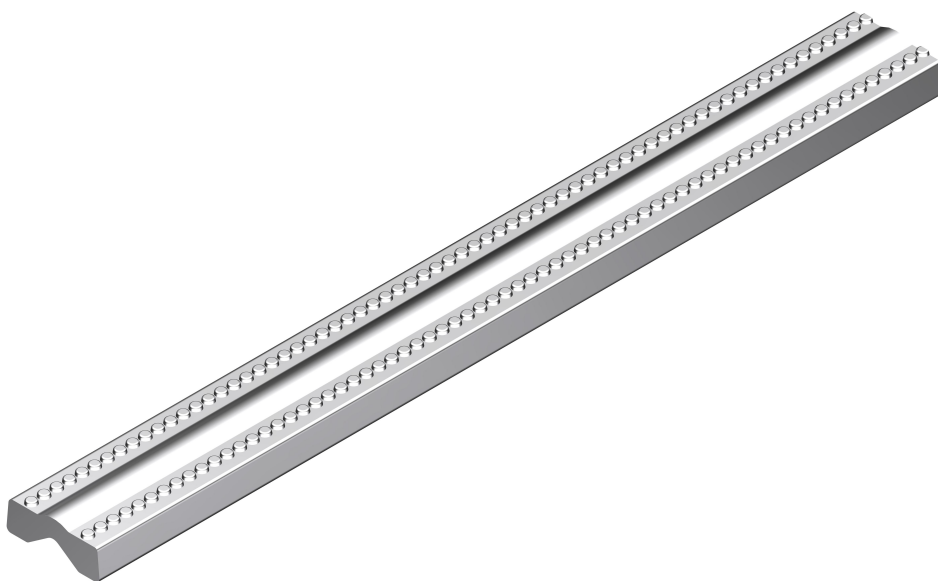


10:1



<table border="1"> <tr><td>03</td></tr> <tr><td>02</td></tr> <tr><td>01</td></tr> </table>	03	02	01				Description: 6号花纹			金艾科 JINAIKE
	03									
	02									
01										
			Size: 2.2 × 0.8							
Rev.	Revision description	Designed by	Date	Material: SUS	Hardness: HV1 440	Scale: 50:1	Drawing No.:			
Designed by: Wenjun Kang		Date: 29/04/2024		Approved by: Lei Gu		Date: 29/04/2024				
				Revision: T0	Unit of length: mm	1st Angle Proj.:	JAK0410			

Tolerance for linear dimensions extract from IOS 2768-1				Tolerance for angular dimensions extract from IOS 2768-1			Permissible deviations for lengths in millimeters of shorter side of the angle concerned	
Designation	from 0.5 up to 6	from 6 up to 30	from 30 up to 120	Designation	up to 10	from 10 up to 50		from 50 up to 120
fine	±0.05	±0.1	±0.15	fine	±1°	±0°30'		±0°20'

This drawing is exclusive ownership of JINAIKE. No part of this drawing may be reproduced or published, without written permission of JINAIKE