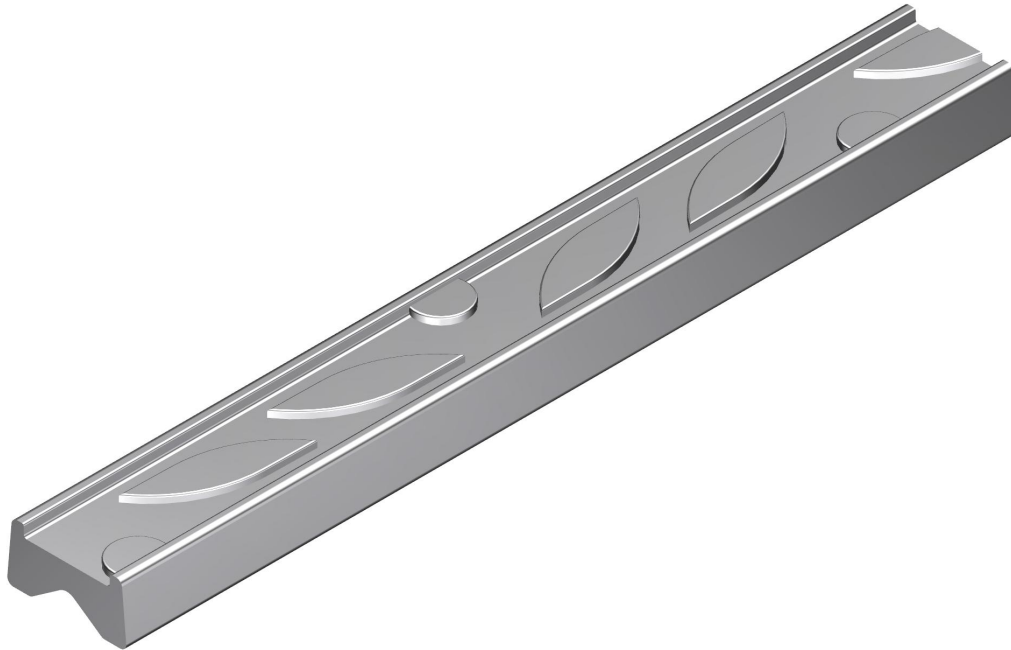

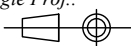


10:1



<table border="1"> <tr> <td>03</td> <td></td> <td></td> <td></td> <td></td> <td></td> <td></td> <td></td> <td></td> </tr> <tr> <td>02</td> <td></td> <td></td> <td></td> <td></td> <td></td> <td></td> <td></td> </tr> <tr> <td>01</td> <td></td> <td></td> <td></td> <td></td> <td></td> <td></td> <td></td> </tr> </table>	03									02								01								Description:		 金艾科 JINAIKE	
	03																												
	02																												
01																													
Description:		凹点花纹																											
Size:		2.0×1.0																											
Rev.	Revision description	Designed by	Date	Material:	Hardness:	Scale:	Drawing No.:																						
				SUS	HV1 440	50:1	JAK0418																						
Designed by:		Date:		Approved by:		Date:																							
Wenjun Kang		04/05/2024		Lei Gu		04/05/2024																							
Revision:	Unit of length:	1st Angle Proj.:																											
T0	mm																												

Tolerance for linear dimensions extract from IOS 2768-1			Tolerance for angular dimensions extract from IOS 2768-1			Permissible deviations for lengths in millimeters of shorter side of the angle concerned		
Designation	from 0.5 up to 6	from 6 up to 30	from 30 up to 120	Designation	up to 10		from 10 up to 50	from 50 up to 120
fine	±0.05	±0.1	±0.15	fine	±1°		±0°30'	±0°20'

This drawing is exclusive ownership of JINAIKE.No part of this drawing may be reproduced or published, without written permission of JINAIKE