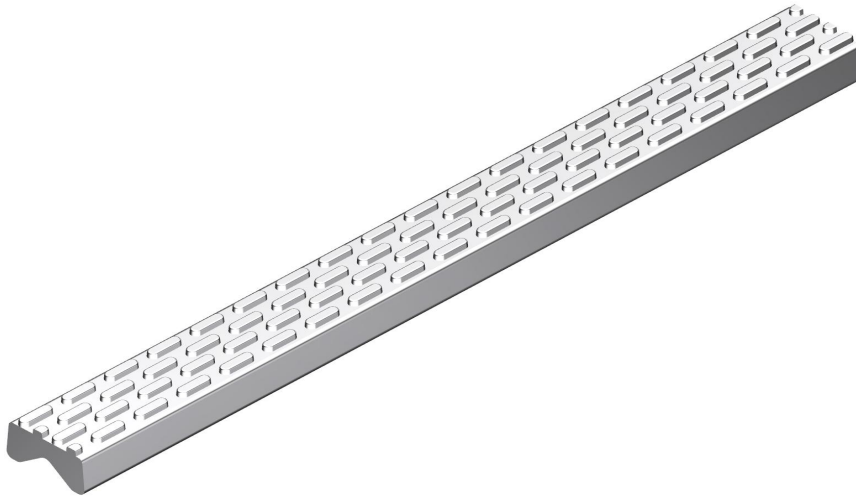

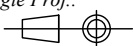


10:1



03 02 01				Description: 鱼鳞花纹		 <b>金艾科</b> <b>JINAIKE</b>	
				Size: 2.0 × 1.0			
				Material: SUS	Hardness: HV1 440		Scale: 50:1
Rev.	Revision description	Designed by	Date			Drawing No.:	
Designed by: Wenjun Kang		Date: 13/05/2024	Approved by: Lei Gu	Date: 13/05/2024	Revision: T0	Unit of length: mm	1st Angle Proj.: 
<b>JAK0523</b>							

Tolerance for linear dimensions extract from IOS 2768-1				Tolerance for angular dimensions extract from IOS 2768-1			Permissible deviations for lengths in millimeters of shorter side of the angle concerned
Designation	from 0.5 up to 6	from 6 up to 30	from 30 up to 120	Designation	up to 10	from 10 up to 50	
fine	±0.05	±0.1	±0.15	fine	±1°	±0°30'	

This drawing is exclusive ownership of JINAIKE. No part of this drawing may be reproduced or published, without written permission of JINAIKE