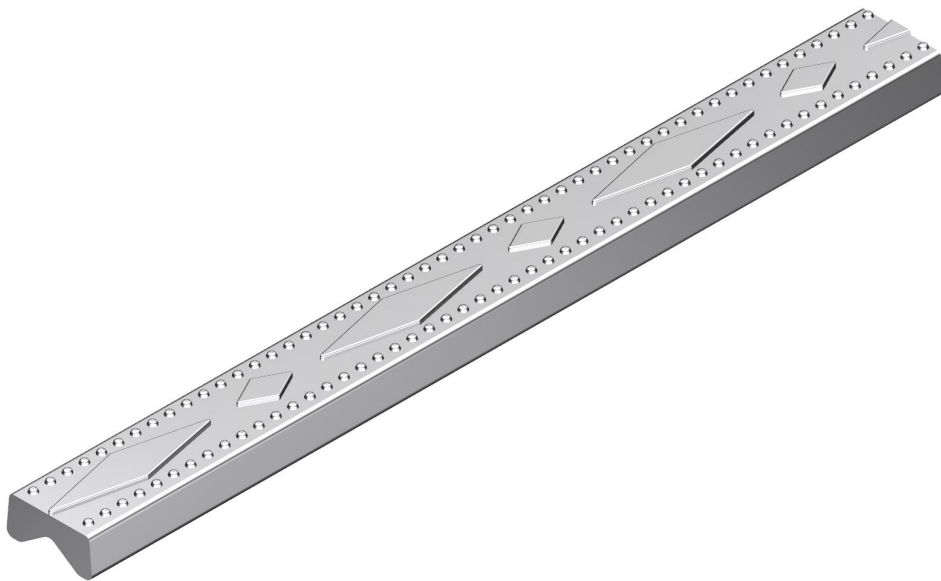

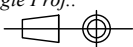


10:1



03				Description: 凸菱形			 <b>金艾科</b> JINAIKE
02				Size: 2.0×1.0			
01				Material: SUS	Hardness: HV1 450	Scale: 50:1	
Rev.	Revision description	Designed by	Date	Drawing No.:			JAK0526
Designed by: Wenjun Kang		Date: 27/07/2024	Approved by: Lei Gu	Date: 27/07/2024	Revision: T0	Unit of length: mm	1st Angle Proj.: 

Tolerance for linear dimensions extract from IOS 2768-1				Tolerance for angular dimensions extract from IOS 2768-1				Permissible deviations for lengths in millimeters of shorter side of the angle concerned
Designation	from 0.5 up to 6	from 6 up to 30	from 30 up to 120	Designation	up to 10	from 10 up to 50	from 50 up to 120	
fine	±0.05	±0.1	±0.15	fine	±1°	±0°30'	±0°20'	

This drawing is exclusive ownership of JINAIKE. No part of this drawing may be reproduced or published, without written permission of JINAIKE