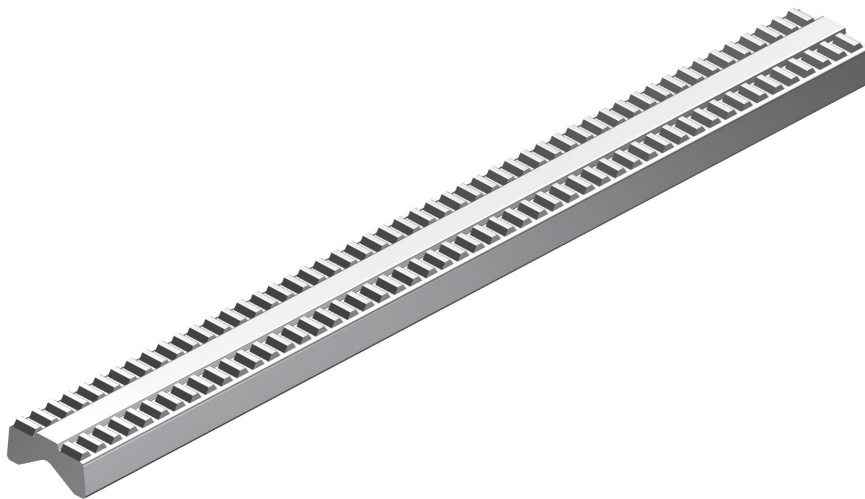

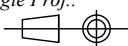


10:1



0.3 0.2 0.1				Description: 2号花纹		 金艾科 JINAIKE	
				Size: 2.0×1.0			
				Material: SUS	Hardness: HV1 440		Scale: 50:1
Rev.	Revision description	Designed by	Date	Drawing No.:		JAK0536	
Designed by:	Date:	Approved by:	Date:	Revision:	Unit of length:		1st Angle Proj.:
	Wenjun Kang	13/05/2024	Lei Gu	13/05/2024	T0	mm	

Tolerance for linear dimensions extract from IOS 2768-1			Tolerance for angular dimensions extract from IOS 2768-1			Permissible deviations for lengths in millimeters of shorter side of the angle concerned	
Designation	from 0.5 up to 6	from 6 up to 30	from 30 up to 120	Designation	up to 10		from 10 up to 50
fine	±0.05	±0.1	±0.15	fine	±1°	±0°30'	±0°20'

This drawing is exclusive ownership of JINAIKE. No part of this drawing may be reproduced or published, without written permission of JINAIKE