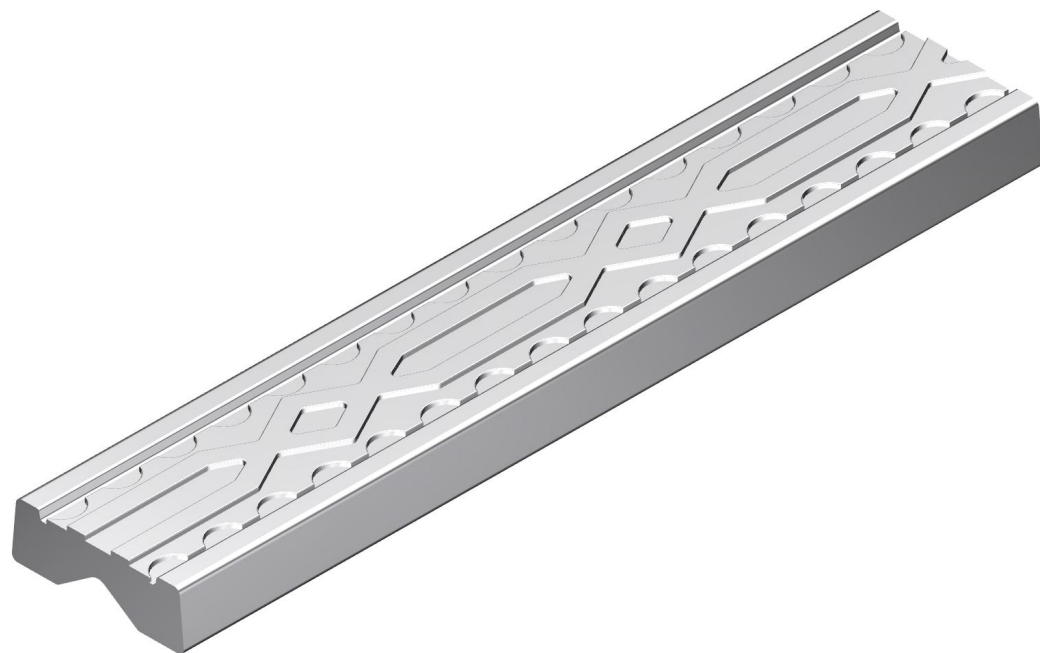

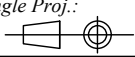


10:1



<table border="1"> <tr> <td>03</td> <td></td> <td></td> <td></td> <td></td> <td></td> <td></td> <td></td> <td></td> </tr> <tr> <td>02</td> <td></td> <td></td> <td></td> <td></td> <td></td> <td></td> <td></td> </tr> <tr> <td>01</td> <td></td> <td></td> <td></td> <td></td> <td></td> <td></td> <td></td> </tr> </table>	03									02								01								Description: 双面槽仿古花纹		 <b>金艾科</b> JINAIKE	Size: 3.0×1.0		Material: <b>SUS</b>	Hardness: <b>HV1 440</b>	Scale: <b>40:1</b>	Drawing No.: <b>JAK0433</b>
	03																																	
	02																																	
01																																		
Rev.		Revision description		Designed by		Date																												
Designed by: <b>Wenjun Kang</b>		Date: <b>04/05/2024</b>		Approved by: <b>Lei Gu</b>		Date: <b>04/05/2024</b>																												
				Revision: <b>T0</b>		Unit of length: <b>mm</b>		1st Angle Proj.: 																										

Tolerance for linear dimensions extract from IOS 2768-1			Tolerance for angular dimensions extract from IOS 2768-1			Permissible deviations for lengths in millimeters of shorter side of the angle concerned		
Designation	from 0.5 up to 6	from 6 up to 30	from 30 up to 120	Designation	up to 10		from 10 up to 50	from 50 up to 120
fine	±0.05	±0.1	±0.15	fine	±1°		±0°30'	±0°20'

This drawing is exclusive ownership of JINAIKE.No part of this drawing may be reproduced or published, without written permission of JINAIKE